



Hazardous Location UniStat™ Status Indicator

Model USIX

MULTICOLOR LED STATUS INDICATOR FOR HAZARDOUS AREAS

- Available in 24VAC/DC and 120VAC
- Tri or quad-color models
- 100,000 hour, vibration-resistant LED light source
- Surface mount
- PLC compatible
- Type 4X, IP66 enclosure
- UL and cUL Listed

The UniStat™ is an LED (light emitting diode) based, multi-color, single-high status indicator.

Using the latest die level LED technology, this unique status indicator can produce three colors (Amber, Green and Red) or four colors (Amber, Blue, Green and Red) from a single light source.

The UniStat offers a choice of four integrated flash patterns – steady-burn, slow flash, strobe flash and SimuStrobe™.

SimuStrobe simulates the attention-getting flash rate of a strobe light but with a much more color-rich output. The user can choose a total of 12 possible flash/color combinations in the tri-color models and 16 in the quad-color models.

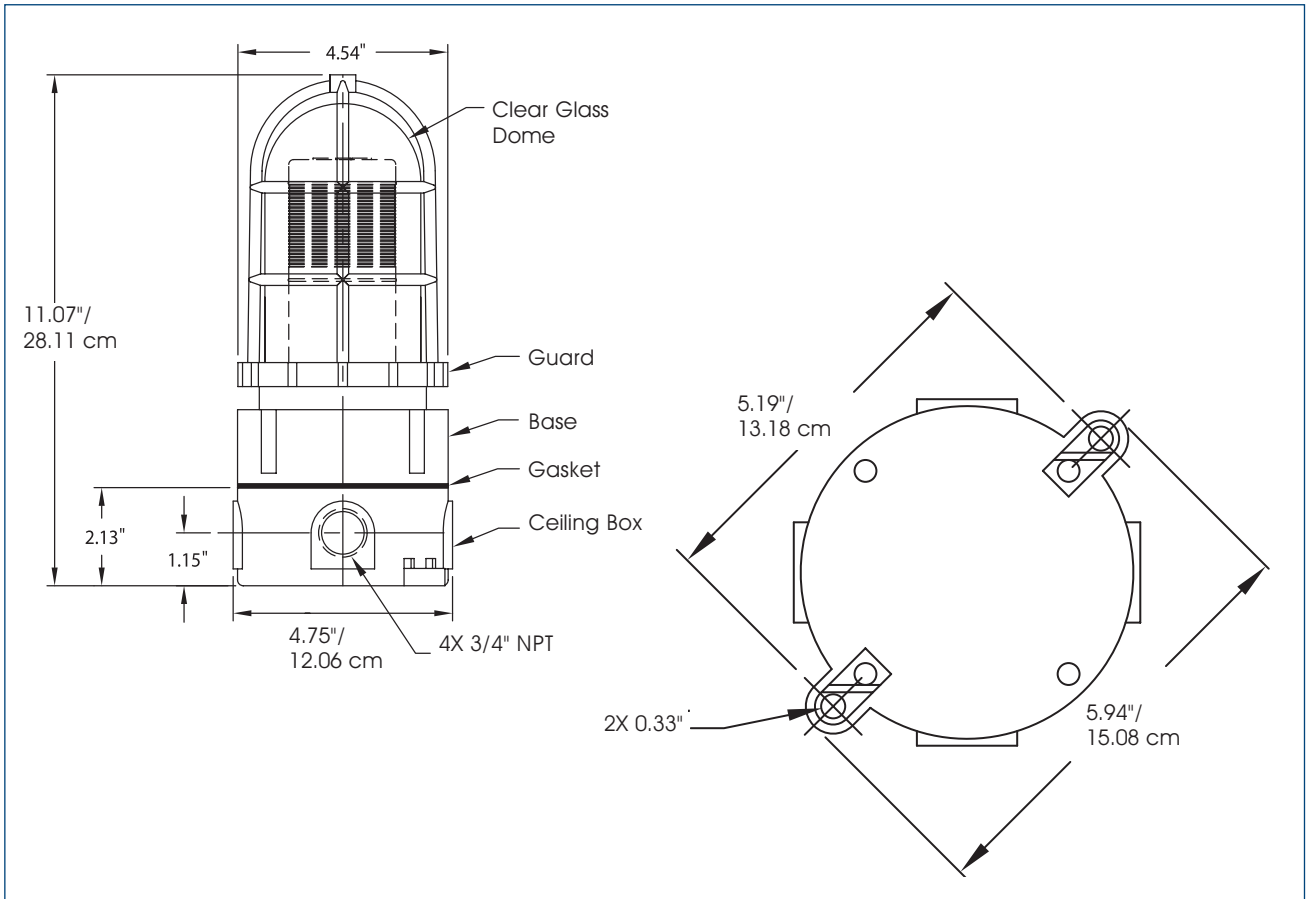
The USIX is protected in a durable polycarbonate housing utilizing four ¼ inch knockout conduit openings in the surface mount base. The outer glass globe is protected by a polycarbonate dome guard (included). Each model arrives pre-assembled and ready to surface mount.

The USIX has been designed for use in Class I, Division 2, Groups A, B, C, D; Class II, Division 2, Groups F and G; and Class III. The USIX is suitable for use in Type 4X applications.

Model	Description	Voltage	Operating Current	Mount
USIX-024TC	Tri-color	24VAC/DC	0.087 amps	Surface
USIX-120TC	Tri-color	120VAC	0.058 amps	Surface
USIX-024QC	Quad-color	24VAC/DC	0.087 amps	Surface
USIX-120QC	Quad-color	120VAC	0.058 amps	Surface



HAZARDOUS LOCATION UNISTAT™ (USIX)



SPECIFICATIONS

Lamp Life*:	100,000 Hours	100,000 Hours
Light Source:	LED	LED
Operating Temperature:	-40°F to 150°F	-40°C to 66°C
Net Weight:	2.49 lbs.	1.13 kg
Shipping Weight:	2.53 lbs.	1.15 kg
Height:	11.07"	28.11 cm
Diameter:	4.75"	12.06 cm

* Optimal hours under ideal conditions.

REPLACEMENT PARTS

<u>Description</u>	<u>Part Number</u>
Lens, Clear	K8447042A-02
Cap, Clear	K8447044A
O-Ring	K8447054B
Clear Glass Globe	Call Factory
Polycarbonate Globe	Call Factory
Plastic Guard	Call Factory
PCB, USIX 24VAC/DC	K2005347A
PCB, USIX 120VAC	K2005347A-02
LED Array, TC	K2005328A
LED Array, QC	K2005328A-01

HOW TO ORDER

- Specify model number, voltage and tri-color
- Please refer to Model Number Index USIX beginning on page 372